

FGL Series Low-speed Granulators

低速粉碎機



Cutting Chamber 粉碎倉 / 刀具



Collection bin options 儲料箱選配



SB1



SB2



SB3

Features 特點

- Low speed at 25~30rpm, on-the-spot grinding and recycling, space-saved. 25~30rpm. 低轉速粉碎, 省電、無噪音公害。
- Casting cutting chamber is durable, hard engineering construction. 粉碎倉鑄造成型, 耐磨損。
- Compact motor, slow speed with low noise, energy saving. 小型馬達, 低速低噪音, 節省空間。
- Special designed on rotary cutting blade, which makes even grinding no powder left, no screen filter required. 採用滾齒刀具, 無需篩網, 粉碎顆粒度均勻, 粉塵含量極少。
- The manual collection bin can be supplied to replace the suction bin at no extra cost. 手動儲料箱, 亦可選擇含吸料出口儲料箱, 無需加價。
- Driven by shaft gear-motor, no need to oil. 中空軸型齒輪減速電動驅動, 無需加油。
- Easy maintenance, easy to clean and easy to move. 易於保養、清洗, 移動方便。
- Motor overload protection. 馬達過載保護裝置。

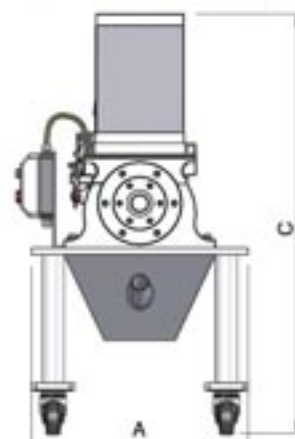
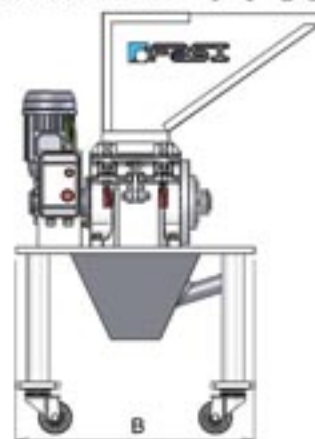
Specification 規格

Model 型號		FGL2522	FGL2522E	FGL3528	FGL4040	FGL4040E
Motor power 馬達	HP	1	2	2	3	5
Rotor speed 轉速	rpm	25~30				
Claw blade 爪刀數量	Nos	2	2	2	2	2
Tooth blade 齒刀數量	Nos	3	3	3	3	3
Feed opening 粉碎口尺寸	mm	250 x 220	250 x 220	350 x 280	400 x 400	400 x 400
Noise level 粉碎時噪音	dB(A)	60				
Blade material 齒刀材質		SKD-11				
Dimension 外型尺寸	AxBxC (mm)	780x430x990		750x550x1440	1230x610x1320	
Weight 重量	kg	230	240	270	400	400

Note 註:

- 1 -Noise level will vary with different materials. 粉碎時的噪音因粉碎材質及馬達的配置而不同。
- 2 -The max. Capacity of the machine is subject to the size and composition of processing materials. 最大粉碎能力取決於粉碎料的大小及材質。
- 3 -Teeth cutter blades 3mm width as standard, 4mm as optional. 齒刀寬度以3mm為標準品, 4mm為選購品。
- 4 -Power supply: 3phase 380V, 50HZm, the special voltage upon requested. 標準電壓3P · 380V · 50HZ · 特殊電壓訂制。

Dimensions 尺寸圖



FGM Series Middle-speed Granulators 中速粉碎機



Features 特點

- Speed at 480rpm, energy saving, and low noise. 480rpm. 中轉速粉碎, 省電, 無噪音害。
- Casting cutting chamber is durable, hard engineering construction. 粉碎倉鑄造成型, 耐磨損。
- The blade is made by high-class steel with heating treatment, it provides the long service life. 刀具採用特種鋼材及特殊熱處理, 經久耐用。
- Average crushing and powerless. 粉碎粒度均勻, 粉末少。
- High performance perforated screen in various size. 多種尺寸篩網可供選擇, 性能高。
- Easy maintenance, easy to clean, and easy to move. 易於保養、清洗, 移動方便。
- Emergency stop button fitted to control panel. 配有緊急安全開關保護。
- Motor overload protection. 配有馬達過載保護裝置。
- Use paddle blades, it is suitable for in-line or hand-fed recycling, and central recycling. 刀具為片刀, 既可適用於機邊粉碎, 也可作集中粉碎。

Cutting Chamber 粉碎倉 / 刀具



Specification 規格

Model 型號		FGM2520	FGM2525	FGM2530	FGM2535
Motor power 馬達	HP	3	5	7.5	10
Rotor speed 轉速	rpm	480			
Claw blade 爪刀數量	Nos	2	2	2	2
Tooth blade 齒刀數量	Nos	2	2	3	3
Feed opening 粉碎口尺寸	mm	250 x 200	250 x 250	250 x 300	250 x 350
Max. Output 最大粉碎能力	Kg/hr	40~80	50~100	60~120	70~150
Noise level 粉碎時噪音	dB(A)	78~82			
Blade material 刀具材質		SKD-11			
Screen diameter 篩網孔徑	mm	Φ8			
Dimension 外型尺寸	AxBxC (mm)	500x950x1490	550x950x1490	600x950x1490	650x950x1490
Weight 重量	kg	360	400	500	600

Note 註:

- 1-Blade material SKH-9 for option. 刀具材質另有SKH-9可供選配。
- 2-Screen diameter Φ3~15 for option. 篩網孔徑另有Φ3~15可供選配。
- 3-Noise level will vary with different materials. 粉碎時的噪音因粉碎材質及馬達的配置而不同。
- 4-The max. Capacity of the machine is subject to the size and composition of processing materials. 最大粉碎能力取決於篩網孔徑及粉碎材質等因素。
- 5-Power supply: 3phase 380V, 50HZm, the special voltage upon requested. 標準電壓3P·380V·50HZ·特殊電壓訂制。

Dimensions 尺寸圖

